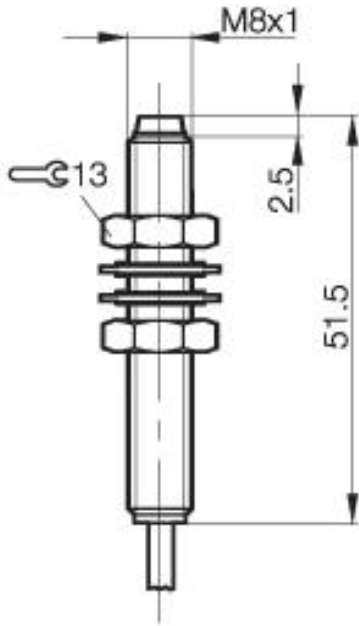


**Inductive Sensors**  
**BES 517-385-MV-C**  
**40 x 40 x 120**  
**normally-open**  
**Sn=40mm**  
**unshielded**



PX1554

**Common Data**

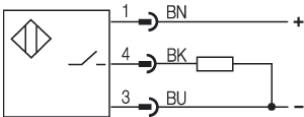
Product name	Unisensor
Mounting in steel	unshielded
Rated operating distance Sn	40mm
Assured operating distance Sa	0...32,4mm
Repeatability R	≤ 5%
Hysteresis	≤ 15%
Function indication	yes
Ambient temperature range	-25...+70°C
Polution Degree	3

**Mechanical Data**

Measurements BxHxT or DxT	40 x 40 x 120mm
Housing material	PBT
Material of sensing face	PBT
Degree of protection	IP67IP
Connection	Screw terminals
Schock: Halfsinus, 30 gn, 11ms	
Vibration: 55 Hz, 1mm Amplitude, 3 x 30 Minutes	

**Electrical Data**

Current type	DC
Wiring	3-Wire
switching function	normally-open
Output signal	PNP
Rated operational voltage	24 DCV
Rated operational current	200mA
Supply voltage	10...30 DCV
Ripple	≤ 15%
max. switching frequency	50Hz
No-load supply current	≤ 15mA
Off-state current	≤ 80µA
Voltage drop	≤ 3,5/-V
Short circuit protection	yes
Protected against polarity reversal	yes



Utilization categories  
 Insulation class

DC 13

Datasheet number:

Definitions see general catalog.  
 If not otherwise noted, ratings according to  
 IEC 60947-5-2 (DIN EN60947-5-2)

Balluff GmbH  
 Schurwaldstrasse 9  
 73765 Neuhausen a.d.F.  
 Phone (07158) 173-0 Fax (07158) 5010

Datenblatt by CD-ROM - 04/2007

